

List of Project Experience

Date: 2015-01-30

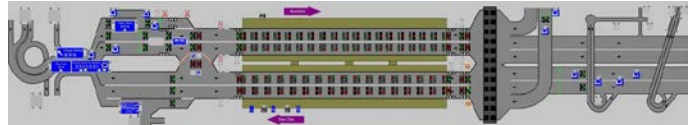
Ing. Milan Šmotlák

(2003 – 2011 : A Siemens Company, Slovakia)
(2011 – 2014 : emst Ltd, Slovakia)



2003 – Aberdeen Tunnel, Hong Kong, Traffic Management and Control System

Tasks of Milan Smotlak:
WinCC development and commissioning
Site system testing

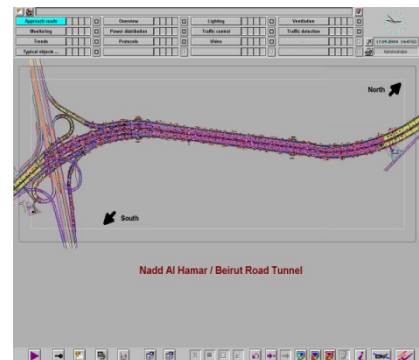


PM of engineering group: Andreas Springer / Siemens Vienna
PM of europ. Sub Systmes: Thomas Seitel / Siemens Munich
GPM in Hong Kong: Patrick Leung / Siemens Hong Kong

2005 – Airport Tunnel Beirut Road, Dubai / UAE General Tunnel automation project

Tasks of Milan Smotlak:
WinCC development and commissioning
Site system testing

PM of engineering group: Christian Steger / Siemens Vienna
PM of europ. Sub Systmes: Klaus Overkamp / Siemens Munich
GPM in Dubai : Mr. Vijith / Scientechnic Dubai/UAE



2005 – Development of Sitraffic-ITCC

Tasks of Milan Smotlak:

Cooperation by programming ITCC Modules (Step7, WinCC)

Trainer at ITCC Trainings in Siemens Vienna

PM of engineering group: Andreas Springer/ Siemens Vienna

Product Manager: Thomas Seitel / Siemens Munich

2006 – Tunnel Bolaman – Persembe, Turkey General Tunnel automation project

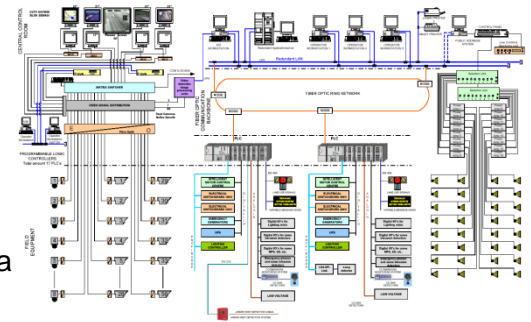
Tasks of Milan Smotlak:

WinCC development and commissioning

Site system testing

PM of engineering group: Andreas Springer / Siemens Vienna

GPM in Turkey: Enis Amasyali / Siemens Turkey



2007 – Tunnel Giresun-Espye, Turkey General Tunnel automation project

Tasks of Milan Smotlak:

Team leading of engineering team

Step7 and WinCC development and commissioning

Site system testing

PM of engineering group: Christian Steger / Siemens Vienna

GPM in Turkey: Enis Amasyali / Siemens Turkey

2007 – Tunnel Sitina, Slovakia General Tunnel automation project

Tasks of Milan Smotlak:

Project Management for Slovak Scope

Team Leading of engineering Team

Step7 and WinccOA development and commissioning

Site system testing

PM of engineering group: Andreas Springer / Siemens Vienna

GPM in Slovakia: Tomas Smerda / Eltodo Dopravni Systemi



2007 - Cooperation by programming new version of ITCC Modules

Tasks of Milan Smotlak:

Cooperation by programming ITCC Modules (Step7, WinCC and WinccOA)

Program modules generator for ITCC modules (Ascona)

PM – in cooperation with developers from Brno/CZ and Bratislava/SK

PM of engineering group: Andreas Springer/ Siemens Vienna

Product Manager: Thomas Seitel / Siemens Munich

2008 – Tunnel Cross Harbour Tunnel Traffic Management and Control System

Tasks of Milan Smotlak:

Project Management

Team Leading of engineering Team

WinCC development and commissioning

Site system testing

Group Manager: Andreas Springer / Siemens Vienna

GPM in Hong Kong: Patrick Leung / Siemens Hong Kong



2009 – Tunnels between Kavak – Merzifon General Tunnel automation project

Tasks of Milan Smotlak:

Project Management

Team Leading of engineering Team

Group Manager: Andreas Springer / Siemens Vienna

GPM in Turkey: Muslahattin Parlak / Siemens Turkey

2009 – Theater Tunnel in Frankfurt, Germany Tunnel Control Center and automation

Tasks of Milan Smotlak:

Commissioning

Operator and system training for the client

PM of engineering group: Andreas Springer/ Siemens Vienna

GPM in Germany: Dirk Reifert / Siemens Mannheim



**2009 – Theater Tunnel in Frankfurt, Germany
Tunnel Control Center and automation**

Tasks of Milan Smotlak:
Extensions of functionality
Step7 and WinccOA development

PM of engineering group: Andreas Springer/ Siemens Vienna
GPM in Germany: Dirk Reifert / Siemens Mannheim

**2010 – Tunnels between Sinop – Boyabat, Turkey
General Tunnel automation project**

Tasks of Milan Smotlak:
Project Management
Team Leading of engineering Team

Group Manager: Andreas Springer / Siemens Vienna
GPM in Turkey: Muslahattin Parlak / Siemens Turkey

**2012 – Theater Tunnel in Frankfurt, Germany
Tunnel Control Center and automation**

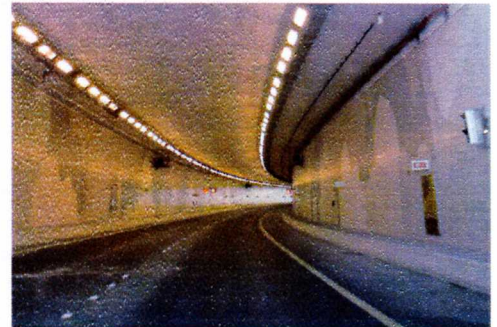
Tasks of Milan Smotlak:
Extensions of functionality
Step7 and WinccOA development

PM of engineering group: Andreas Springer/ Siemens Vienna
GPM in Germany: Dirk Reifert / Siemens Mannheim


**2013 – Ras Al Akhdar Tunnels in Abu Dhabi, UAE
General Tunnel automation project**

Tasks of Milan Smotlak:
Consulting for Factory and Site Acceptance Tests

Project Manager: Andreas Springer / Siemens Munich
GPM in Abu Dhabi: Petro Nixon / ELMECH, Abu Dhabi / UAE



Milan Šmotlák / emst Ltd.


Andreas Springer / Siemens AG
30.1.2015